

DIN Reactors AE 63 – 6300 Litres

Reactor Type AE 63 – 6300 Litres

Standard Design

Pressure: Inner vessel -1/6 bar,
Jacket -1/6 bar
Temperature: -25/+200 °C
Code: AD specifications, ASME

Materials

Vessel: P 275 NH (1.0487)
Glass-lining: RAS GLASS®
Clamp bolts: 24CrMo5, surface-treated
Gaskets: PTFE-enveloped flat seal
according to DIN 28148

Inspection

Water pressure test according
to AD or ASME specification
Glass-lining test according
to DIN 28063
High voltage test 20 kV/12 kV

Construction

Supporting structure: lugs,
feet, support ring,
special design to order
Shell: Jacket (AM),
Half coil design (HR)

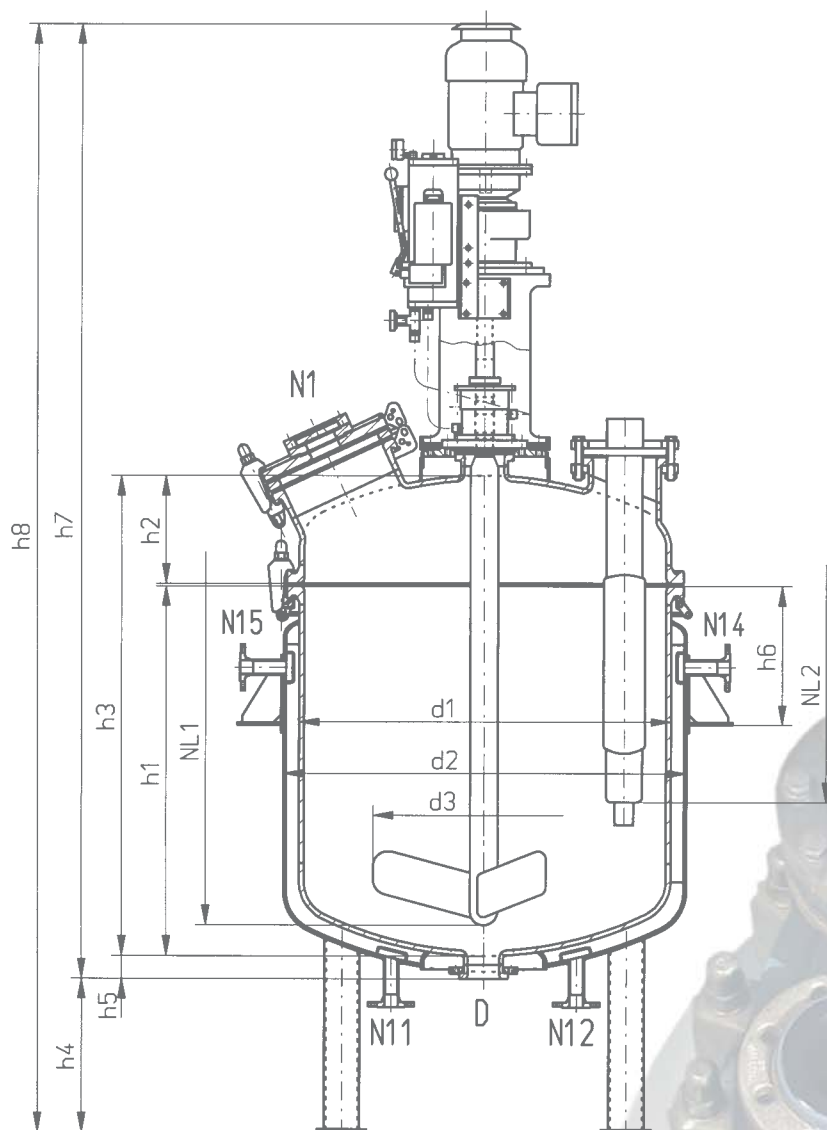
Internals

Drive: DIN drive TRD
with agitator flange according
to DIN 28137,
double mechanical seal with
thermosyphon unit
Agitator: Impeller (DIN 28157),
Turbine, Anchor (DIN 28158) (see
"Agitator Systems" information sheet)
Baffle: Paddle baffle
according to DIN 28146
Probes: Inserted temperature
measuring probe (TS probe),
melted-in dual PT 100 element
(TKE probe), monitoring of glass-lining
and vessel, conductivity measurement
(EBÜ-L probe), MultiTube, sample
extraction, filling level measurement,
pH value measurement

Order Example

RWA AE 630 – 1000 AM – D 100

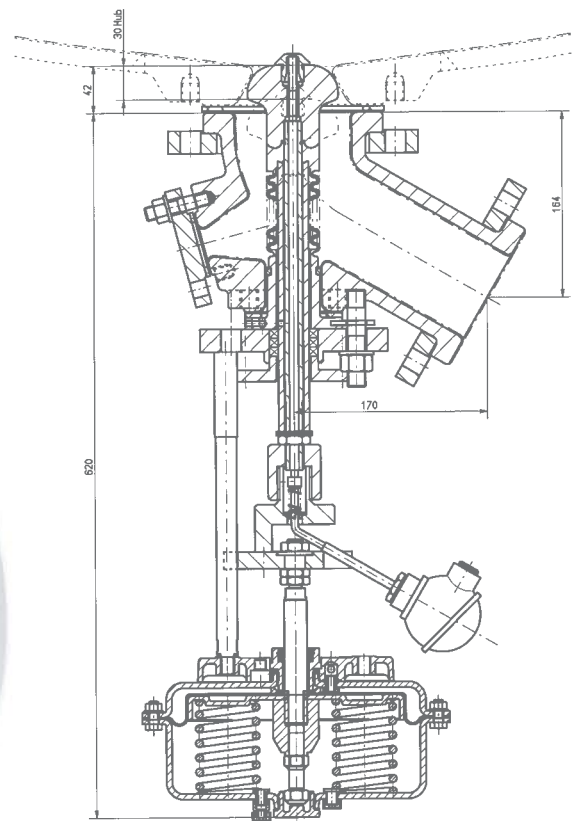
Reactor, type AE
Nominal capacity 630 litres
Nominal diameter 1000 mm
Jacketed (AM), Outlet nozzle,
configuration D
according to DIN 28140 – part 2



*Special design to order
Technical modifications reserved
Edition March 2003*

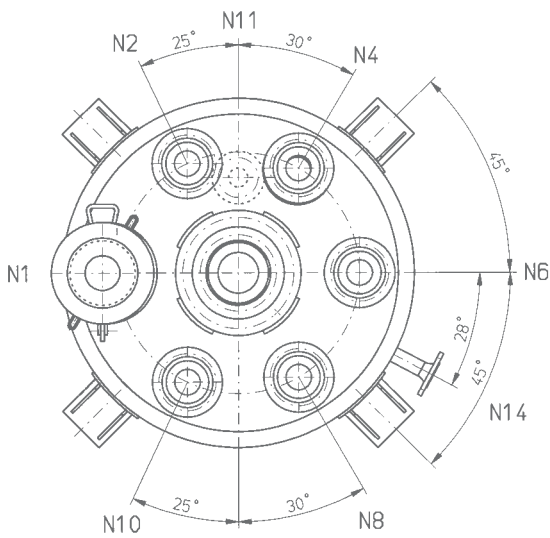


Computer-controlled flame-cutting robots guarantee high-precision synchronous cutting resulting in precise fitting accuracy of neck and nozzles

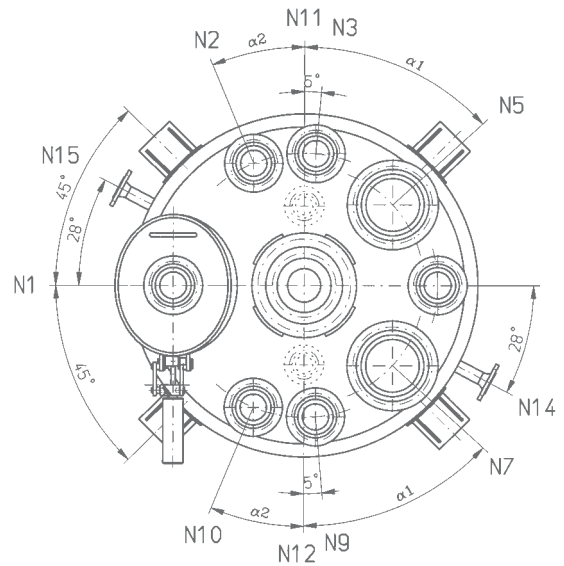


*Thale-bottom outlet valve (TBV)
DN 100/80 with pneumatic diaphragm drive, GMP-design*

AE 400 in GMP design and stainless steel isolation



AE 63 ÷ AE 630,
508 □ d1 □ 1000, plan view



AE 1000 ÷ AE 6300,
1200 □ d1 □ 2000, plan view



Our internal grinding machine for bodies, dished ends and nozzles works entirely automatically. Perfectly ground steel surfaces form the ideal substrate for the glass-lining



Our submerged-arc automatic welding machine does material-friendly welding based on minimal heat effect for up to 100 m of weld seams per unit



Quick release cover (QE)
Glass-lined stainless steel cover with small flange and sight glass for rapid opening



Gear support:
perfect connection of drive and agitator

Dimensions

Nominal capacity	Total capacity		Exchange surface	Main dimensions (mm)											Total weight
	vessel	jacket		d1	d2	d3	h1	h2	h3	h4	h5	h6	h7	h8	
l	l	l	m ²									approx.	approx.	≈ kg	
63	95	29	0,55	508	600	300	400	180	590	300	68	-	-	2110	430
100	130	40	0,9	508	600	300	600	180	790	300	68	-	-	2310	520
160	210	60	1,25	600	700	360	700	200	910	300	68	-	-	2430	640
250	330	75	1,7	700	800	420	800	220	1030	300	68	340	2355	2655	850
400	535	116	2,5	800	900	480	1000	250	1260	500	78	365	2595	3095	1040
630	860	150	3,2	1000	1100	600	1000	300	1310	500	78	380	2790	3290	1400
1000	1470	210	4,6	1200	1300	720	1200	350	1560	500	74	410	3040	3540	2250
1600	2340	285	6,3	1400	1500	840	1400	400	1810	500	74	420	3455 (3765)*	3955 (4265)*	3100
2500	3480	370	8,2	1600	1700	960	1600	460	2070	500	70	450	3830 (4140)*	4330 (4525)*	3900
4000	5430	520	11,6	1800	1900	1100	2000	500	2510	500	70	480	4505 (4840)*	5005 (5340)*	5300
6300	8390	685	16	2000	2100	1100	2500	550	3060	500	86	545	5170 (5505)*	5670 (6005)*	7800

* Dimensions in brackets are valid for drive type S

Nominal capacity	Nozzles (DN)														Drive		
	N1	N2 N10	N3 N9	N4	N5 N7	N6	N8	N11 N14	N12 N15	D	NL1	NL2	α1	α2	total headroom type	Ml. max. Nm	Pn kW
63	100	40	-	80	-	80	50	40	-	80	970	475	-	-	125 K	330	0,55
100	100	40	-	80	-	80	50	40	-	80	1170	675	-	-	125 K	330	0,55
160	100	50	-	80	-	80	80	40	-	80	1290	750	-	-	125 K	330	0,55
250	150	50	-	80	-	80	80	40	-	80	1450	830	-	-	200 K	550	1,5
400	200	80	-	80	-	100	80	40	-	100	1655	1020	-	-	200 K	550	1,5
630	250	100	-	100	-	150	100	50	-	100	1720	1040	-	-	250 K	550	3
1000	350x450	100	100	-	200	100	-	50	-	100	1970	1200	47,5°	22,5°	250 K	550	3
1600	350x450	100	100	-	200	100	-	50	50	100	2285	1200	45°	30°	300 K (S)*	1100	4
2500	350x450	100	100	-	200	100	-	50	50	100	2540	1420	45°	25°	300 K (S)*	1100	5,5
4000	500	150	150	-	250	150	-	50	50	100	3075	1800	45°	25°	400 K (S)*	2100	7,5
6300	500	150	150	-	250	150	-	80	80	150	3595	2320	45°	30°	500 K (S)*	2100	11

Tolerances acc. to DIN 28006 - part 2

Competence-Info-Center

We would like to advise you regarding the advantages of glass-lined equipment like:

- Glass-lined storage vessels and storage tanks
- RAS GLASS®
- Agitator and agitator systems
- Pipes and fittings
- Columns
- Heat exchangers
- Bottom outlet valves
- Measuring probes
- Reglassing
- Pressure filter

Contact

Call or fax

Telephone: +49 (0) 3947 778-0

Telefax: +49 (0) 3947 778-130

sales@thaleemail.de

www.thaleemail.de

24-hours-Hotline

+49 (0) 171 6 84 42 54

EHW Thale EMAIL GmbH

Steinbachstr. 3
06502 Thale
Germany

Telephone: +49 (0) 3947 778-0

Telefax: +49 (0) 3947 778-130

24-hours-Hotline: +49 (0) 171 6 84 42 54

Distribution center Ludwigshafen:

Telephone: +49 (0) 621 60 97 653

Telefax: +49 (0) 621 60 97 342

sales@thaleemail.de

www.thaleemail.de